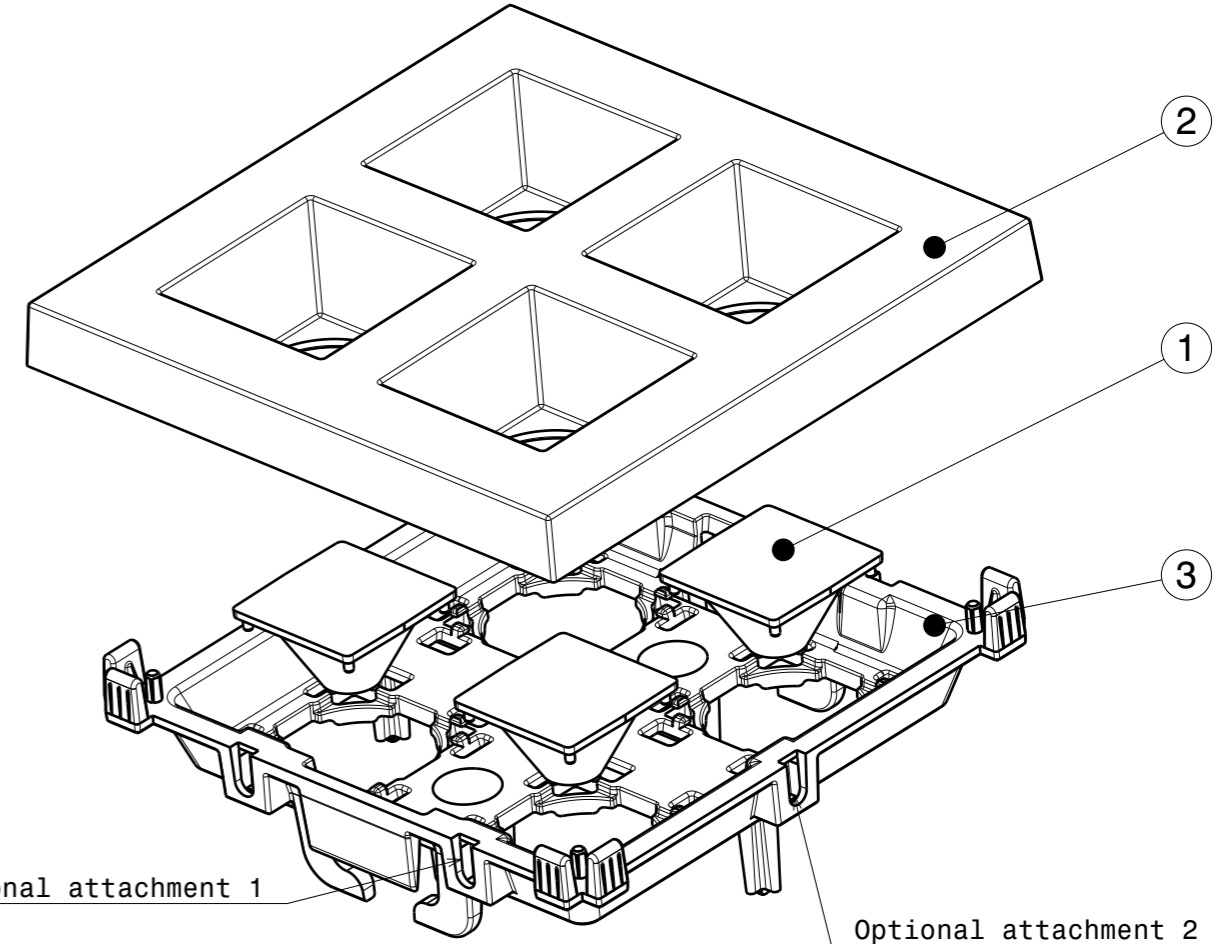
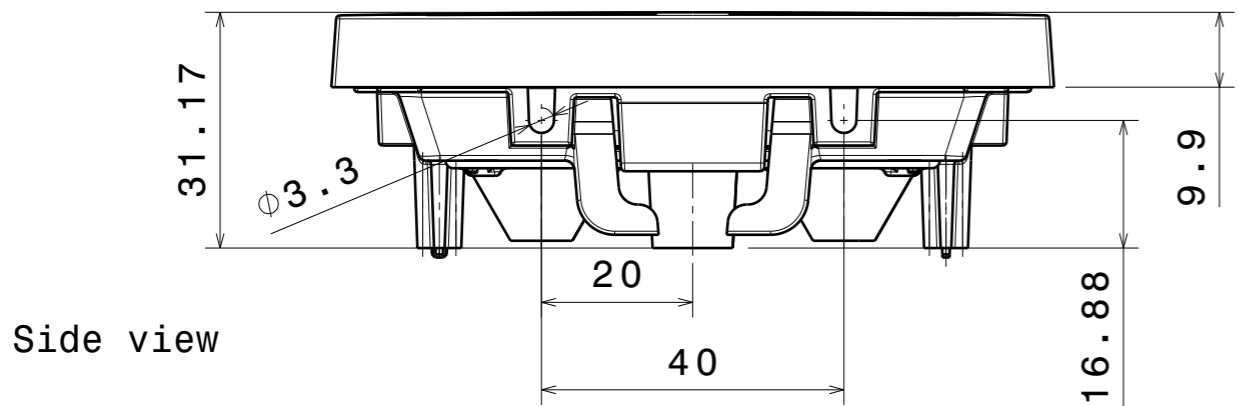
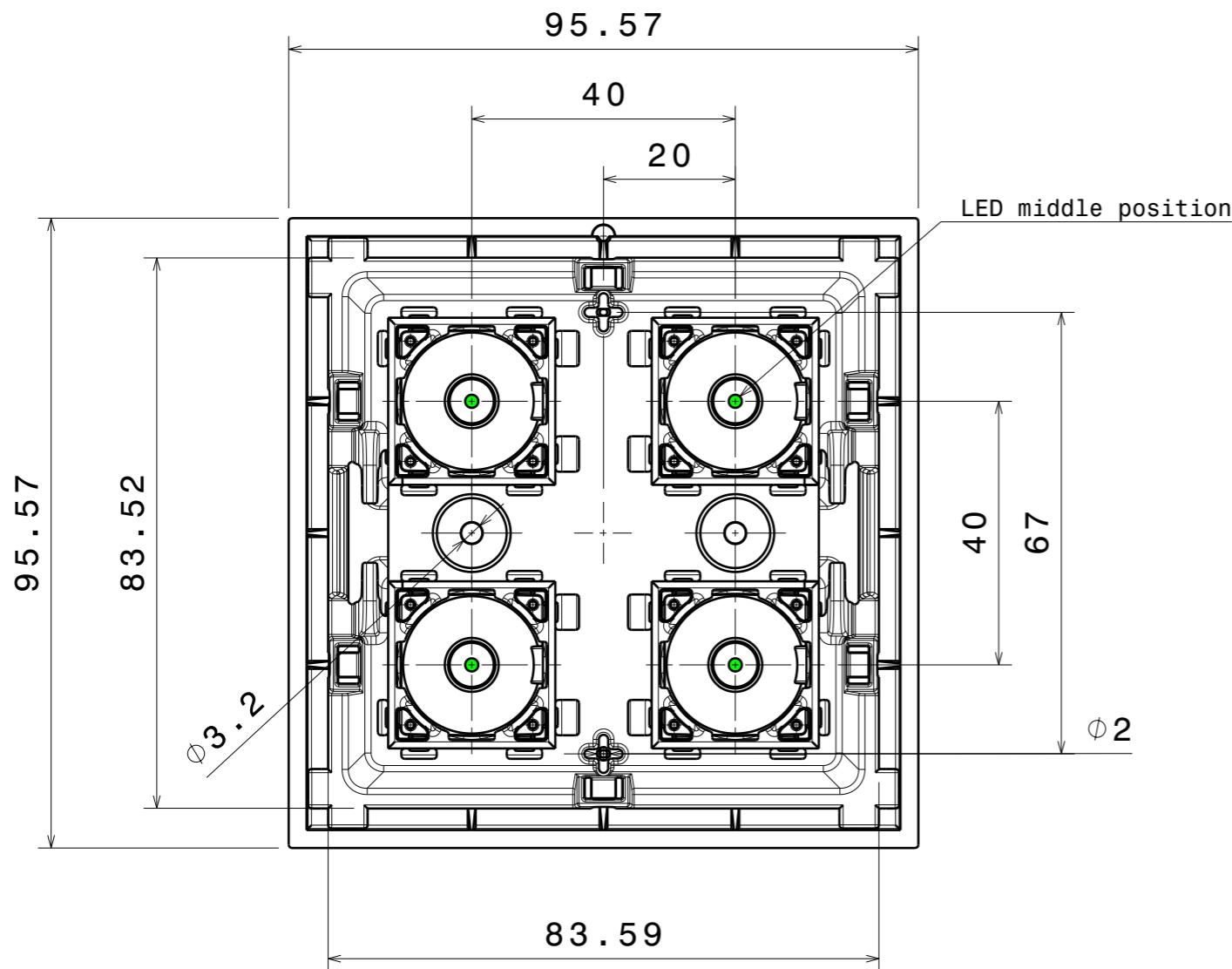


H G F E D C B A



Isometric view
Scale: 1:1

Isometric view
Scale: 1:1

Assembly:

1. Attach lenses by pressing them down until they snap into place.
2. Screw the holder (with lenses assembled) to PCB. Inspect that the positioning pins are securely in their holes.
3. Press the shade down on the holder until they are securely attached.

Optional side attachment: The holder can also be attached with DIN 7985 M3 nuts

1. One nut per side for rotational attachment
2. Two per side for fixed beam direction

Recommendations:

Screw type DIN 7985 M3, max. torque 0.6Nm

Compatible with Strada-2X2MX PCB

Tolerances if not otherwise shown
According to DIN ISO 2768-1
Linear measures:
up to 30mm class M, otherwise class C
According to DIN ISO 2768-2
Form and position: class L

LEDiL LediL Oy
Salorankatu 10
FIN 24240 SALO
Finland

THIRD ANGLE PROJECTION:

DRAWING TITLE
FLORENTINA-2x2 assembly

This drawing is the property of LEDiL Oy. It may not be reproduced, copied or communicated without a written agreement with LEDiL Oy.

SIZE	PART NUMBER		
A3	-		

INDEX	PART NO	DESCRIPTION	MATERIAL	COLOUR
1	-	CMC / MRK lenses	-	
2	C14734	FLORENTINA-2X2-SHD	PC	black
3	C14735	FLORENTINA-2X2-HLD	PC	black

SCALE	1:1	WEIGHT	-	SHEET	1/1
-------	-----	--------	---	-------	-----

H G F E D C B A