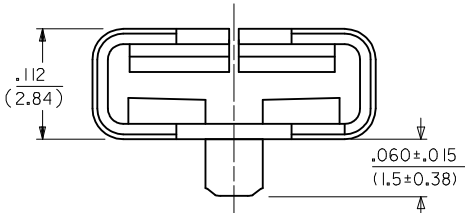
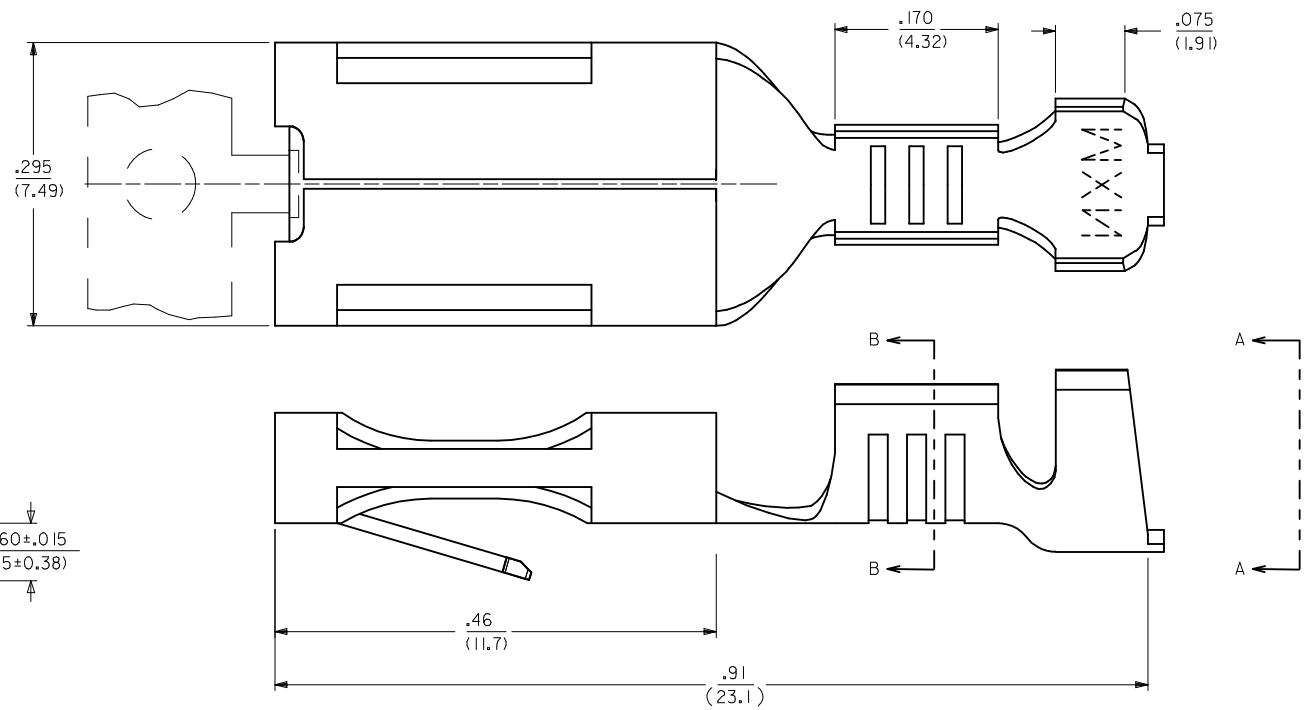


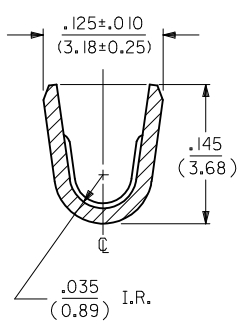
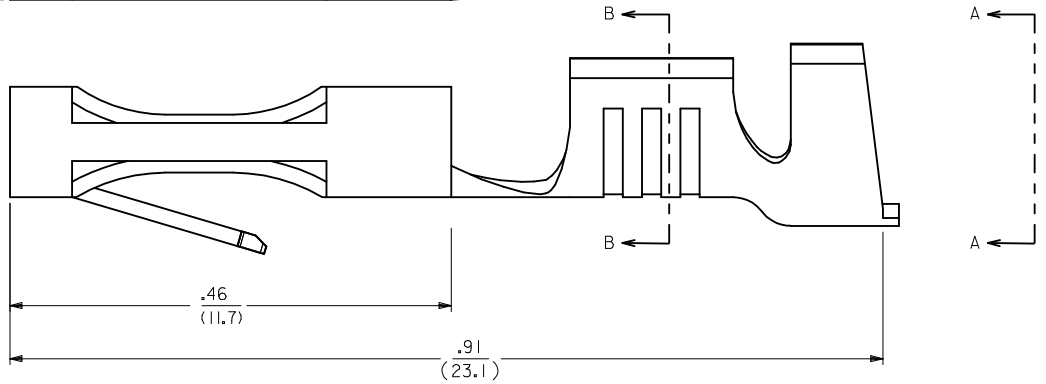
ITEM NO.	ENG. NO.
41422-5001	41422-5001

NOTES:

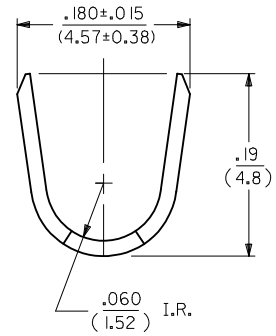
1. MATERIAL: BRASS, ALLOY *C26000, TEMPER SPRING, .016/(.04) THICK
2. FINISH: ES-88-P901, HOT TIN DIP .00002/(0.0005) MIN.
3. PRODUCT SPECIFICATION: NONE
4. IN ANY HOUSING DESIGN USING THIS TERMINAL, ESPECIALLY WHEN LOW INSERTION FORCES ARE EXPECTED, SOME SORT OF LOCKING DEVICE SHOULD BE CONSIDERED.
5. MATES TO .250/(6.35) X .032/(0.8) NOMINAL MALE TAB TERMINAL.
6. CRIMP TO #14 THROUGH #18 AWG. WIRE WITH .031/(0.79) THK. INSULATION.



CRIMP SECTION NOT SHOWN IN THIS VIEW FOR CLARITY.



SECTION B-B



VIEW A-A

FIX BLOCK TOLERANCE EC NO: UCP2013-0551 DRW: NALHAG CHKD: JELL APPR: FSMITH	2012/06/12 06/12/2012 2012/08/15	QUALITY SYMBOLS	GENERAL TOLERANCES (UNLESS SPECIFIED)	DIMENSION STYLE	SCALE	DESIGN UNITS	THIRD ANGLE PROJECTION
		▽=0	mm	IN/MM	10:1	INCH	MAB 08/19/94 KBP 08/19/94 RAS 08/19/94
		▽=0	INCH	DRAWN BY	DATE	TITLE	
		▽=0	4 PLACES ± --- ± --- 3 PLACES ± --- ± .010 2 PLACES ± 0.25 ± .014 1 PLACE ± 0.35 ± ---	CHECKED BY	DATE	APPROVED BY	DATE
REV	DESCRIPTION	ANGULAR ±1/2°	DRAFT WHERE APPLICABLE MUST REMAIN WITHIN DIMENSIONS	SEE CHART	MATERIAL NO.	DOCUMENT NO.	SHEET NO.
C2							1 OF 1