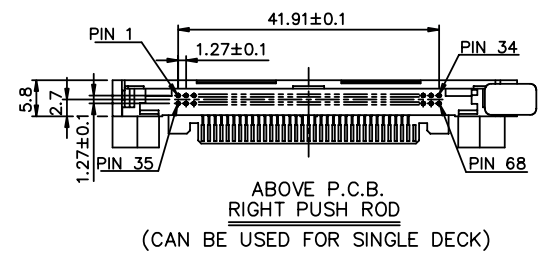
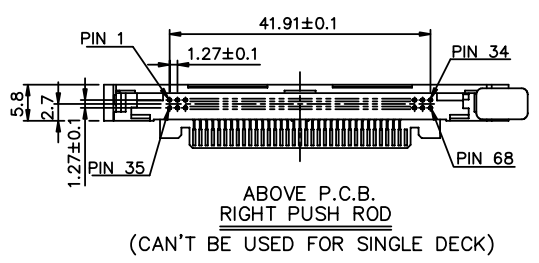
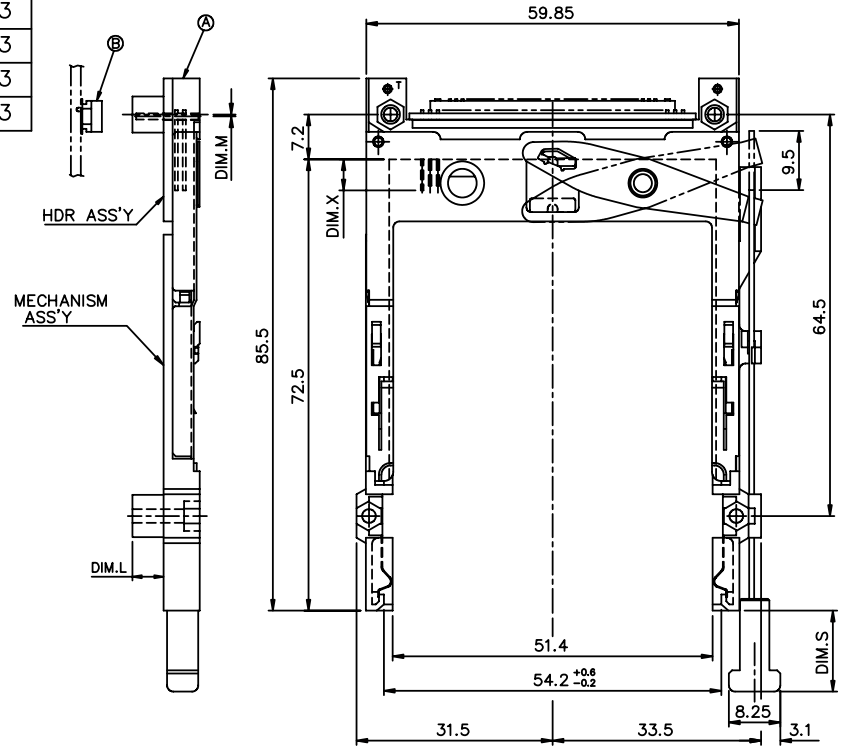
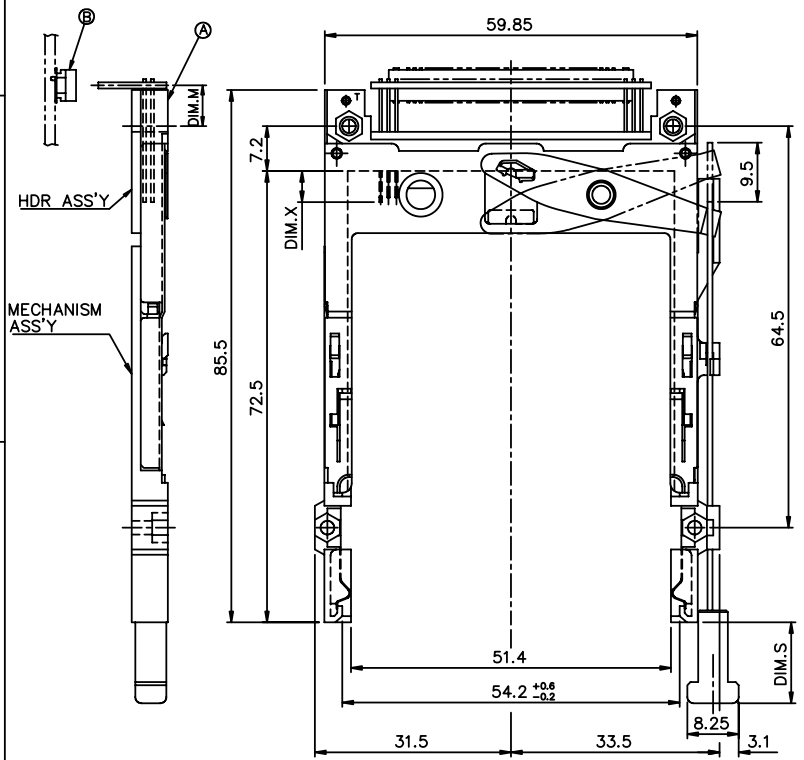


Tous droits strictement réservés. Reproduction ou communication à des tiers sans autorisation écrite du propriétaire. Property of © BERG ELECTRONICS. Copyright BERG ELECTRONICS by

All rights strictly reserved. Reproduction or issue to third parties in any form without written authority from the proprietor. Property of © BERG ELECTRONICS. Copyright BERG ELECTRONICS by

PRODUCT NO.	DIM.M
95547-005**	10.0
95547-025**	9.0
95547-045**	6.55
95547-055**	6.55

PRODUCT NO.	DIM.M
95547-020**	2.15
95547-040**	-0.3
95547-050**	-0.3
95547-050**H	-0.3
95547-250**	-0.3



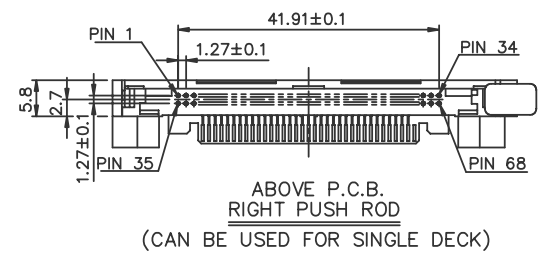
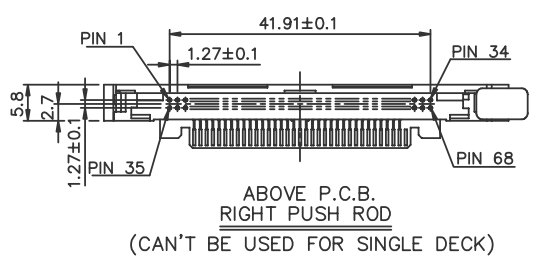
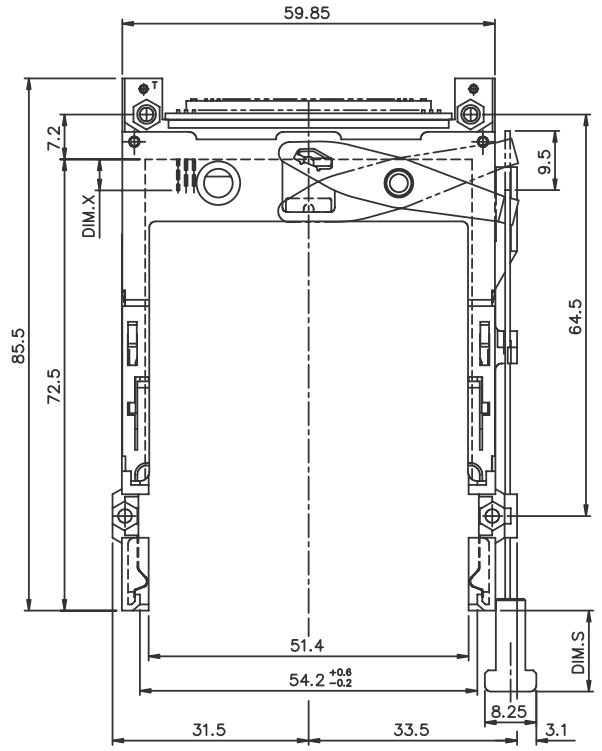
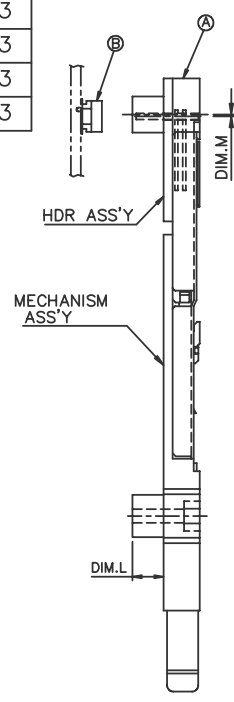
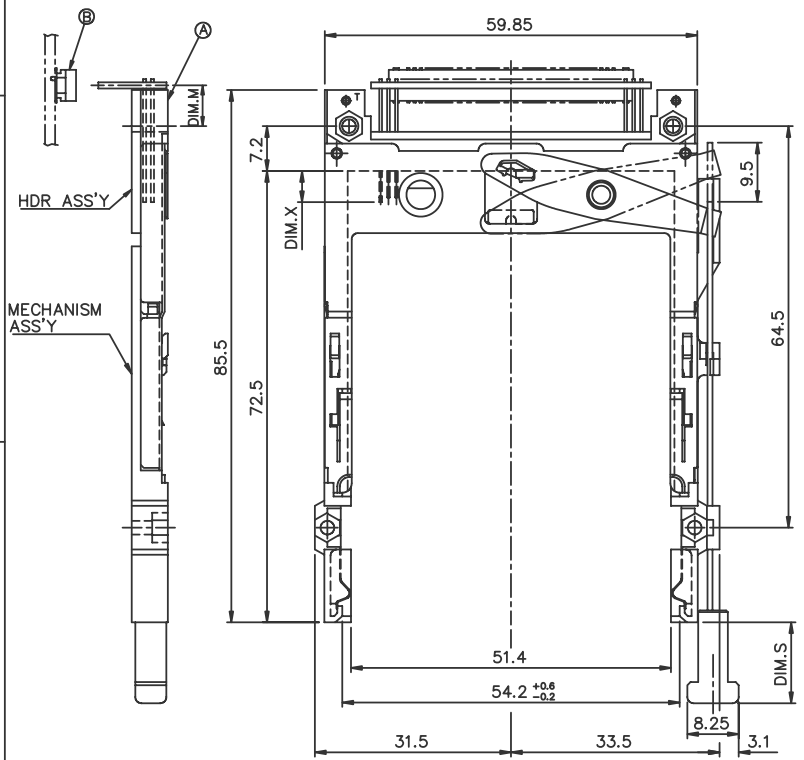
mat'l code		tolerance unless otherwise specified		CUSTOMER COPY		FCI		www.fclconnect.com											
rev.	ecn no.	dr	date	linear		± 0.30		projection											
N	N06-0034	M	Z 02/14/06	angles		± 2°		title											
H	T00234	WL	07/28/00	unit		mm/inch		product family											
J	T00374	WL	12/20/00	dr		WENDY CHEN 01/27/95		PCMCIA											
K	T10149	WL	05/18/01	enr		JOSEPH HSIA 01/27/95		code											
L	T03-0209	WL	06/02/03	chr		JOSEPH HSIA 01/27/95		size											
M	N04-0092	WB	12/01/04	appd		JENN TSAO 01/27/95		scale											
sheet	revision	L	M	L	N	L	M	L	M	N	L								
index	sheet	1	2	3	4	5	6	7	8	9	10	11	12						

Tous droits strictement réservés. Reproduction ou communication à des tiers sans autorisation écrite du propriétaire. Property of c BERG ELECTRONICS. Copyright BERG ELECTRONICS by

All rights strictly reserved. Reproduction or issue to third parties in any form without written authority from the proprietor. Property of c BERG ELECTRONICS. Copyright BERG ELECTRONICS by

PRODUCT NO.	DIM.M
95547-005**LF	10.0
95547-025**LF	9.0
95547-045**LF	6.55
95547-055**LF	6.55

PRODUCT NO.	DIM.M
95547-020**LF	2.15
95547-040**LF	-0.3
95547-050**LF	-0.3
95547-050**HLF	-0.3
95547-250**LF	-0.3

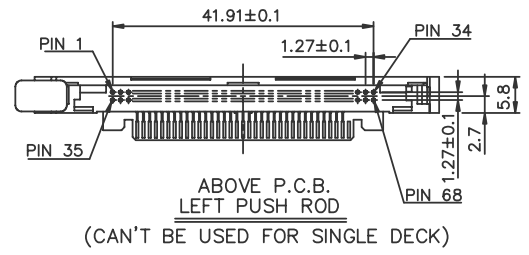
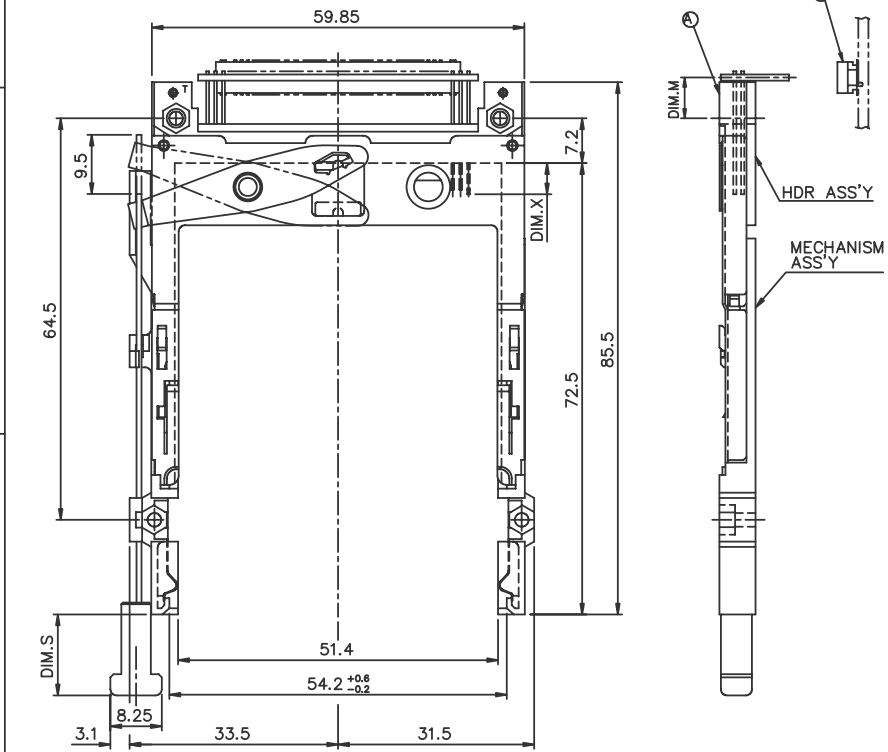


mat'l code		tolerance unless otherwise specified		CUSTOMER COPY		 www.fclconnect.com	
rev.	ecn no.	dr	date	linear	± 0.30	projection	title
M				angles	± 2°		EJECTOR HEADER ASS'Y 5.0V, SMT TYPE 1/2/3
		dr	WENDY CHEN 01/27/95	unit	mm/inch	product family	PCMCIA
		enr	JOSEPH HSIA 01/27/95	size	dwg no.	code	
		chr	JOSEPH HSIA 01/27/95	scale	A3	95547	sheet 2 of
		appd	JENN TSAO 01/27/95				
sheet index	revision sheet						

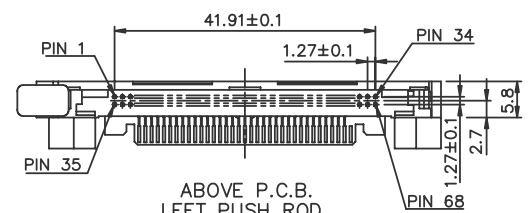
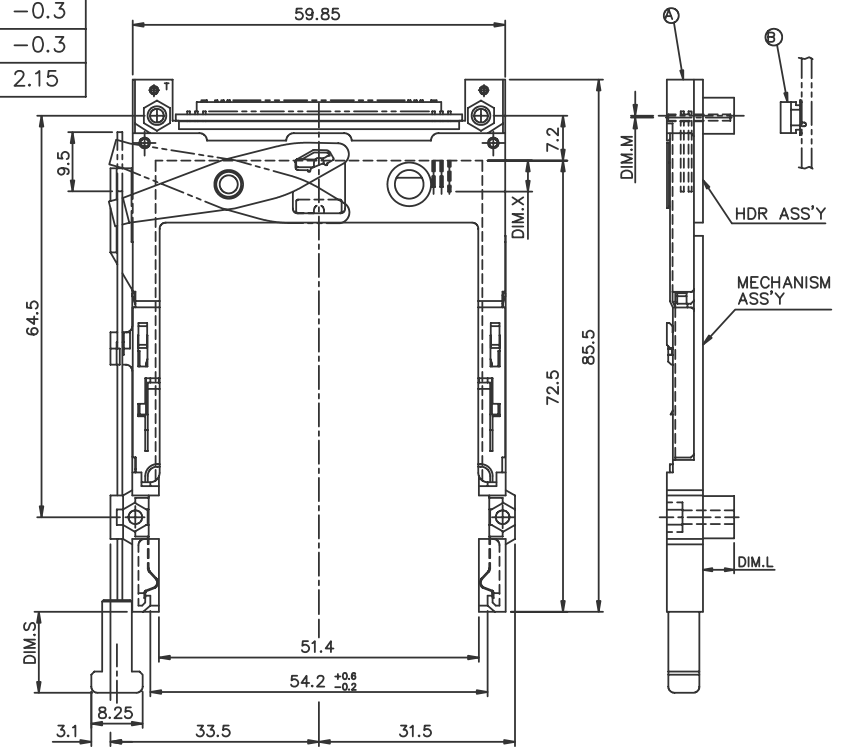
Tous droits strictement réservés. Reproduction ou communication à des tiers int
 sous quelque forme que ce soit, sans autorisation écrite du propriétaire.
 Property of c BERG ELECTRONICS.
 Droits de reproduction BERG ELECTRONICS by

All rights strictly reserved. Reproduction or issue to third parties in any for
 without written authority from the proprietor.
 Property of c BERG ELECTRONICS.
 Copyright BERG ELECTRONICS by

PRODUCT NO.	DIM.M
95547-105**	10.0
95547-125**	9.0
95547-145**	6.55
95547-155**	6.55



PRODUCT NO.	DIM.M
95547-120**	2.15
95547-140**	-0.3
95547-150**	-0.3
95547-322**	2.15



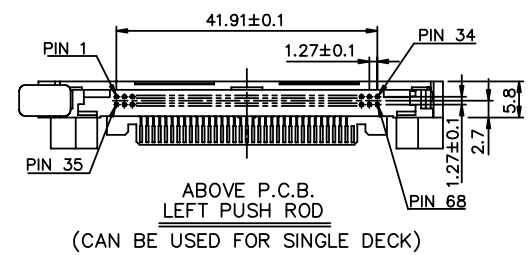
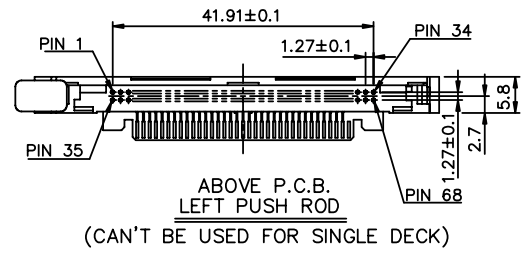
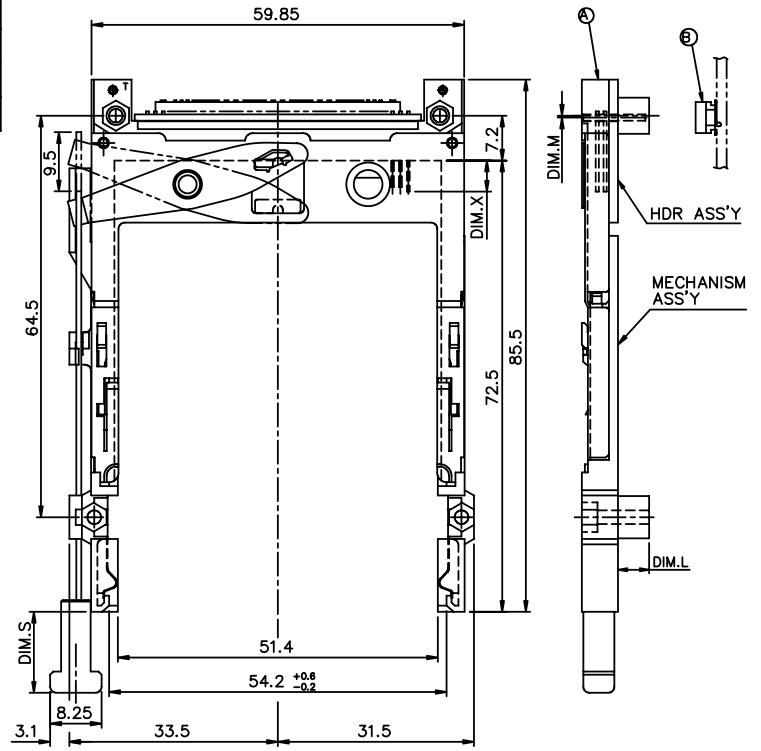
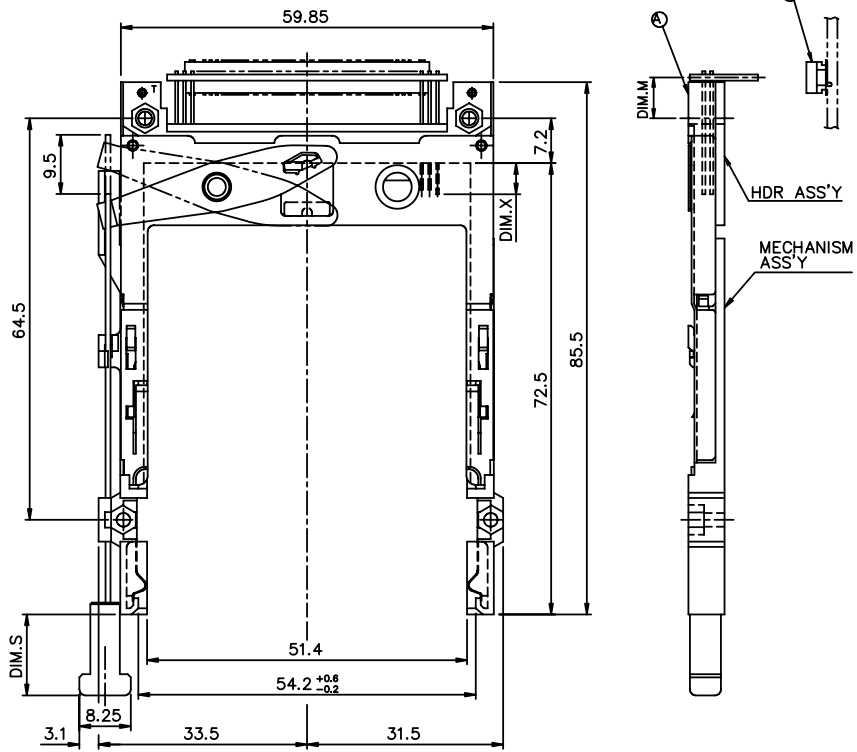
mat'l code		tolerance unless otherwise specified		CUSTOMER COPY		FCI		www.fclconnect.com	
rev.	ecn no.	dr	date	linear	± 0.30	projection	title		
L				angles	± 2°		EJECTOR HEADER ASS'Y		
				dr	WENDY CHEN 01/27/95	unit	product family		code
				enr	JOSEPH HSIA 01/27/95	mm/inch	PCMCIA		
				chr	JOSEPH HSIA 01/27/95	scale	size		sheet
				appd	JENN TSAO 01/27/95	A3	95547		3 of
sheet	revision								
index	sheet								

Tous droits strictement réservés. Reproduction ou communication à des tiers int sans autorisation écrite du propriétaire.
 Property of c BERG ELECTRONICS.
 Droits de reproduction BERG ELECTRONICS by

All rights strictly reserved. Reproduction or issue to third parties in any form without written authority from the proprietor.
 Property of c BERG ELECTRONICS.
 Copyright BERG ELECTRONICS by

PRODUCT NO.	DIM.M
95547-105**LF	10.0
95547-125**LF	9.0
95547-145**LF	6.55
95547-155**LF	6.55

PRODUCT NO.	DIM.M
95547-120**LF	2.15
95547-140**LF	-0.3
95547-150**LF	-0.3
95547-150**HLF	-0.3
95547-322**LF	2.15



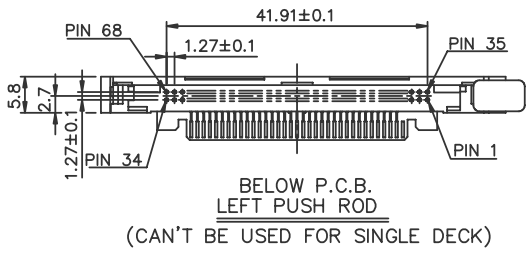
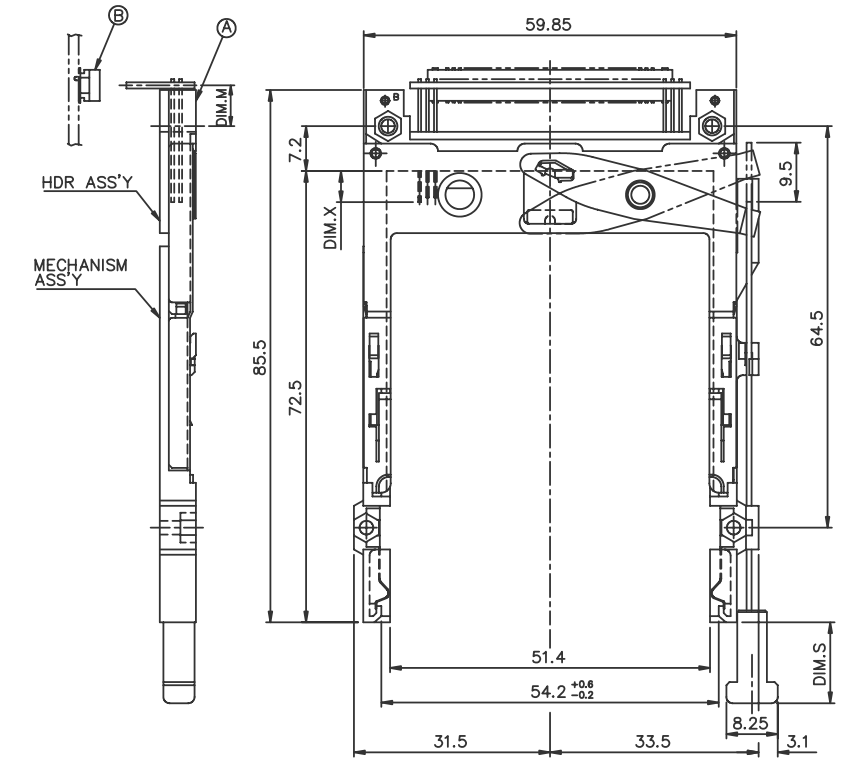
mat'l code		tolerance unless otherwise specified		CUSTOMER COPY		 www.fclconnect.com	
rev.	ecn no.	dr	date	linear	± 0.30	projection	title
N				angles	± 2°		EJECTOR HEADER ASS'Y
				dr	WENDY CHEN 01/27/95	unit	product family
				enr	JOSEPH HSIA 01/27/95	mm/inch	PCMCIA
				chr	JOSEPH HSIA 01/27/95	scale	code
				appd	JENN TSAO 01/27/95	A3	95547
sheet	revision						size
index	sheet						dwg no.
							95547
							sheet
							4 of

Tous droits strictement réservés. Reproduction ou communication à des tiers sans autorisation écrite du propriétaire.
 Property of © BERG ELECTRONICS.
 Droits de reproduction BERG ELECTRONICS by

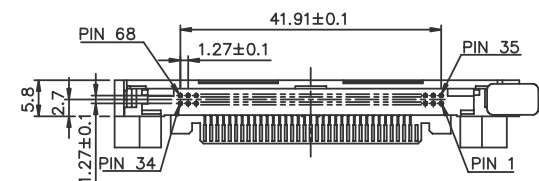
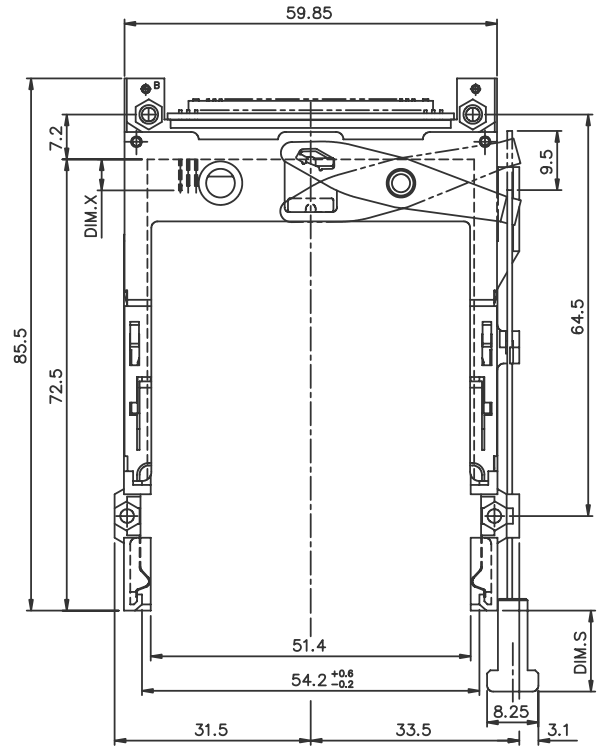
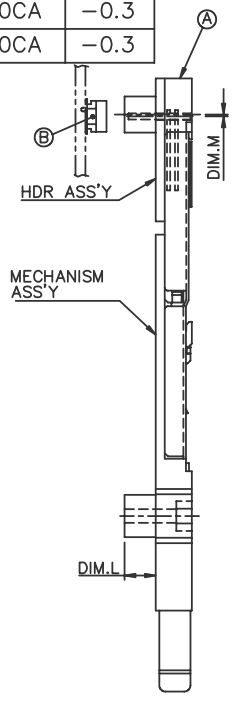
FCI

All rights strictly reserved. Reproduction or issue to third parties in any form without written authority from the proprietor.
 Property of © BERG ELECTRONICS.
 Copyright BERG ELECTRONICS by

PRODUCT NO.	DIM.M
95547-605CA	10.0
95547-625CA	9.0
95547-645CA	6.55
95547-655CA	6.55



PRODUCT NO.	DIM.M
95547-620CA	2.15
95547-640CA	-0.3
95547-650CA	-0.3



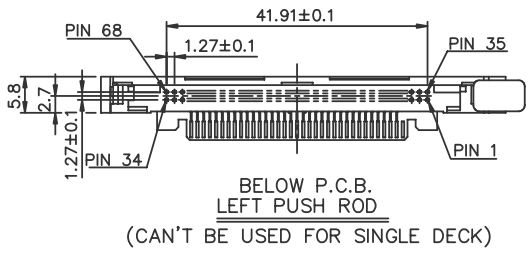
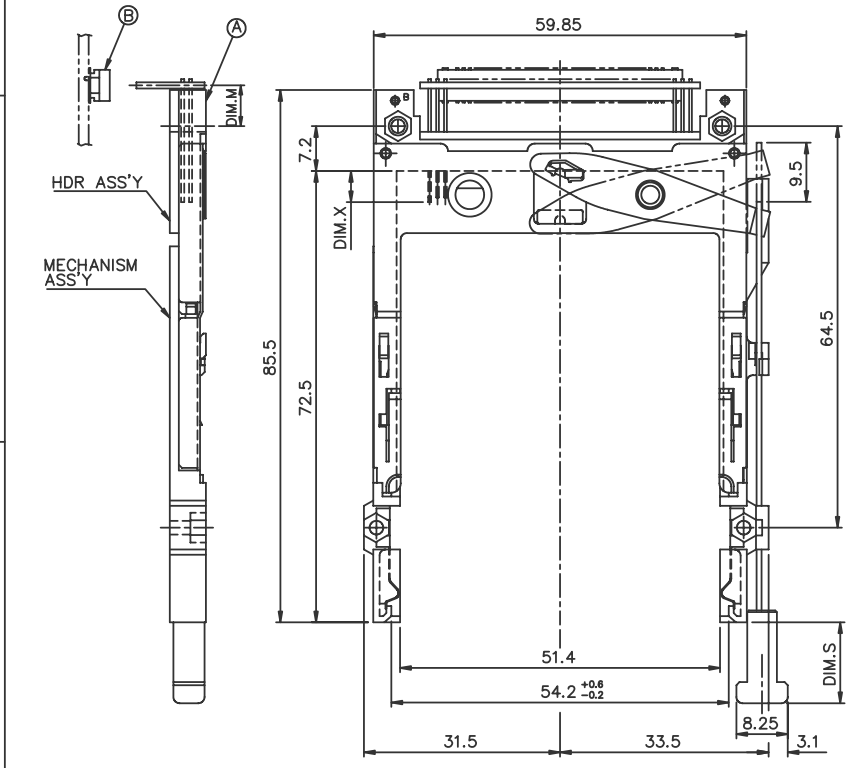
BELOW P.C.B.
LEFT PUSH ROD
(CAN BE USED FOR SINGLE DECK)

mat'l code				tolerance unless otherwise specified		CUSTOMER COPY		FCI www.fclconnect.com	
rev.	ecn no.	dr	date	linear	± 0.3	projection	title EJECTOR HEADER ASS'Y		
L				angles	± 2°		5.0V, SMT TYPE 1/2/3		
M				dr	WENDY CHEN 01/27/95	unit	product family		code
				enrg	JOSEPH HSIA 01/27/95	mm/inch	PCMCIA		
				chr	JOSEPH HSIA 01/27/95	scale	size		dwg no.
				appd	JENN TSAO 01/27/95		A3		95547
sheet		revision							
index		sheet							

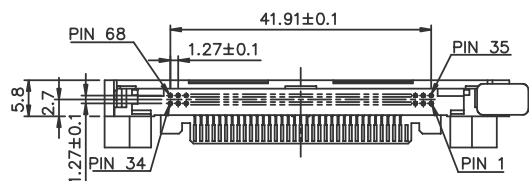
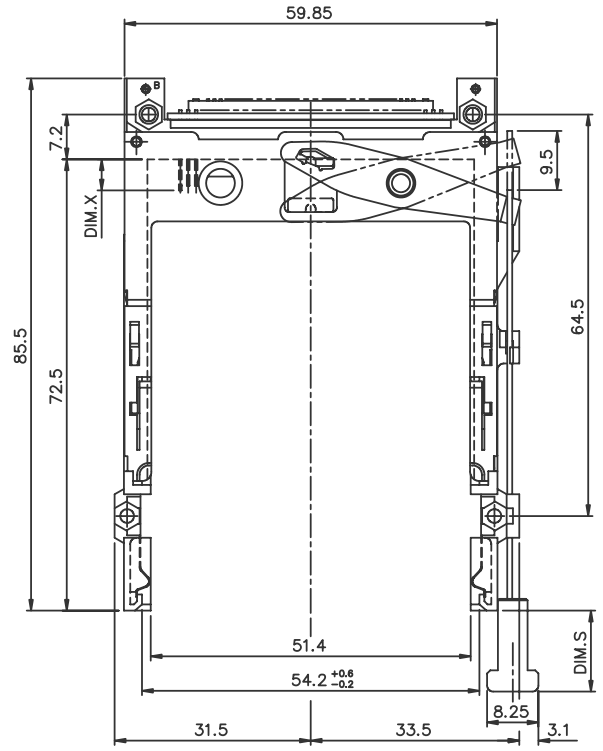
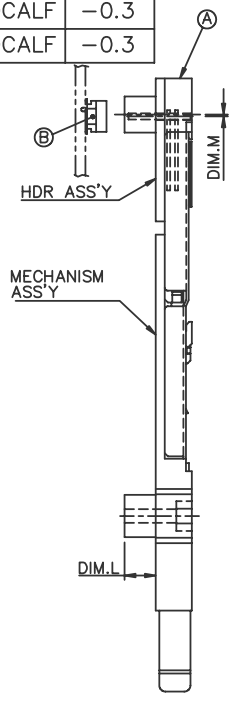
Tous droits strictement réservés. Reproduction ou communication à des tiers sans autorisation écrite du propriétaire.
 Property of c BERG ELECTRONICS.
 Copyright BERG ELECTRONICS by

All rights strictly reserved. Reproduction or issue to third parties in any form without written authority from the proprietor.
 Property of c BERG ELECTRONICS.
 Copyright BERG ELECTRONICS by

PRODUCT NO.	DIM.M
95547-605CALF	10.0
95547-625CALF	9.0
95547-645CALF	6.55
95547-655CALF	6.55



PRODUCT NO.	DIM.M
95547-620CALF	2.15
95547-640CALF	-0.3
95547-650CALF	-0.3



BELOW P.C.B.
 LEFT PUSH ROD
 (CAN BE USED FOR SINGLE DECK)

mat'l code		tolerance unless otherwise specified		CUSTOMER COPY		FCI		www.fclconnect.com	
rev.	ecn no.	dr	date	linear	± 0.3	projection	title EJECTOR HEADER ASS'Y		
L				angles	± 2°		product family PCMCIA		
M				dr WENDY CHEN	01/27/95		unit mm/inch	code	
				enrg JOSEPH HSIA	01/27/95	scale	size dwg no.		sheet
				chr JOSEPH HSIA	01/27/95	A3	95547		6 of
				appd JENN TSAO	01/27/95				
sheet	revision								
index	sheet								

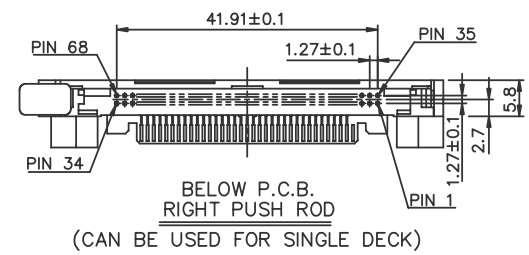
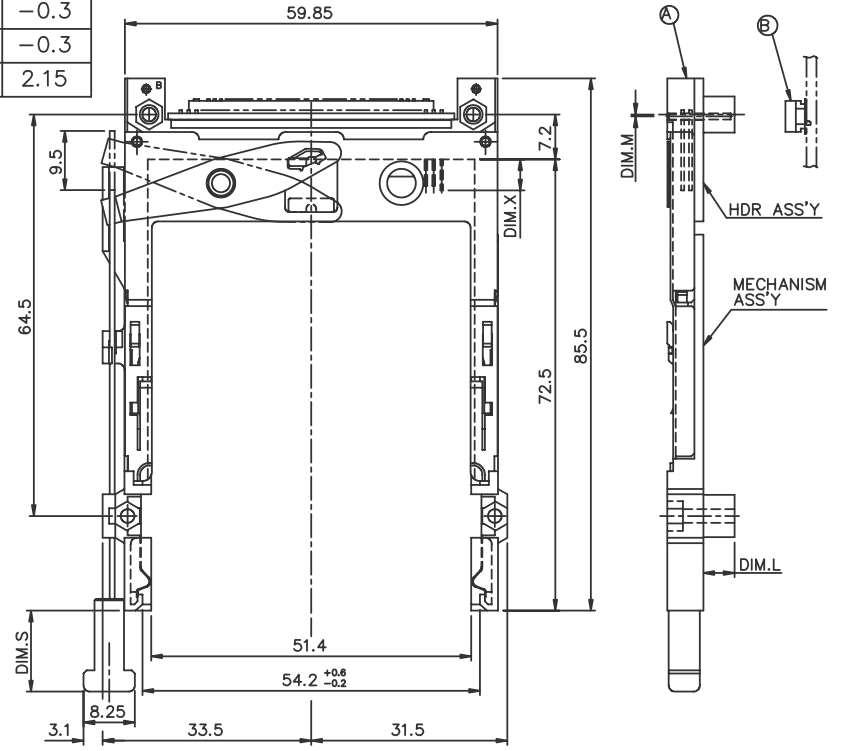
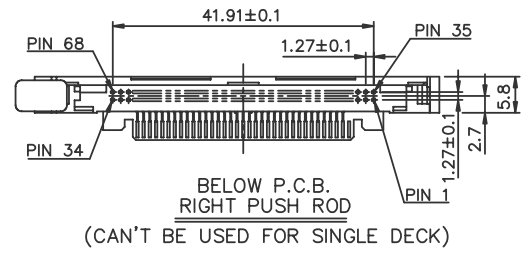
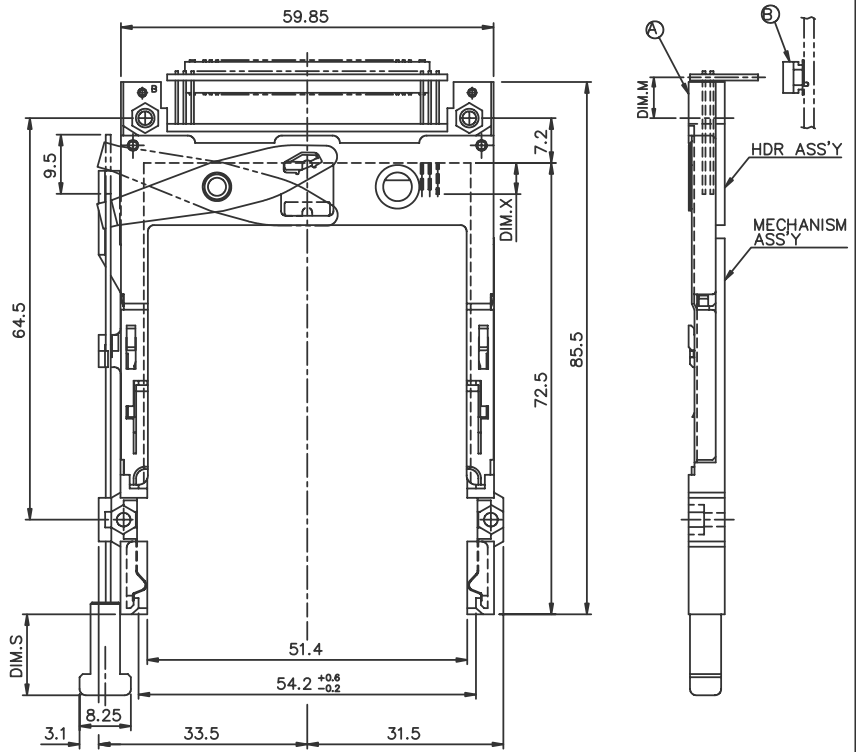
Tous droits strictement réservés. Reproduction ou communication à des tiers sans autorisation écrite du propriétaire.
 Property of © BERG ELECTRONICS.
 Droits de reproduction BERG ELECTRONICS by

All rights strictly reserved. Reproduction or issue to third parties in any form without written authority from the proprietor.
 Property of © BERG ELECTRONICS.
 Copyright BERG ELECTRONICS by



PRODUCT NO.	DIM.M
95547-505CA	10.0
95547-525CA	9.0
95547-545CA	6.55
95547-555CA	6.55

PRODUCT NO.	DIM.M
95547-520CA	2.15
95547-540CA	-0.3
95547-550CA	-0.3
95547-750CA	2.15



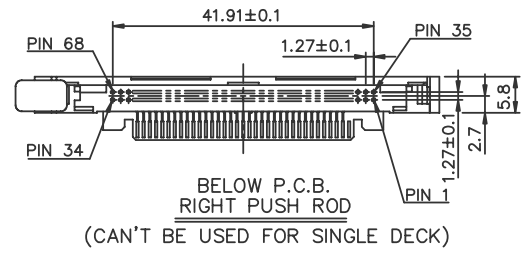
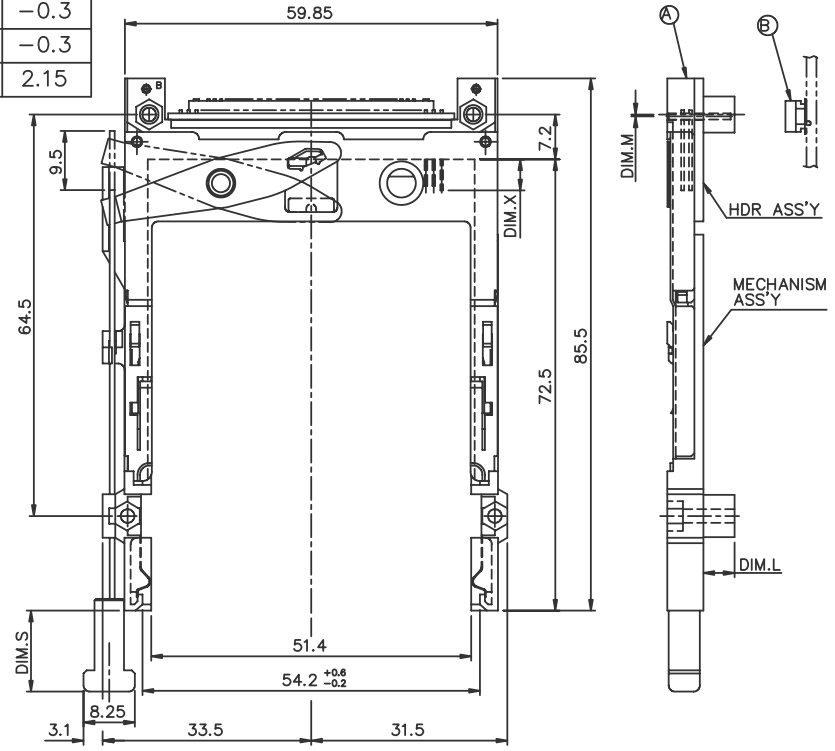
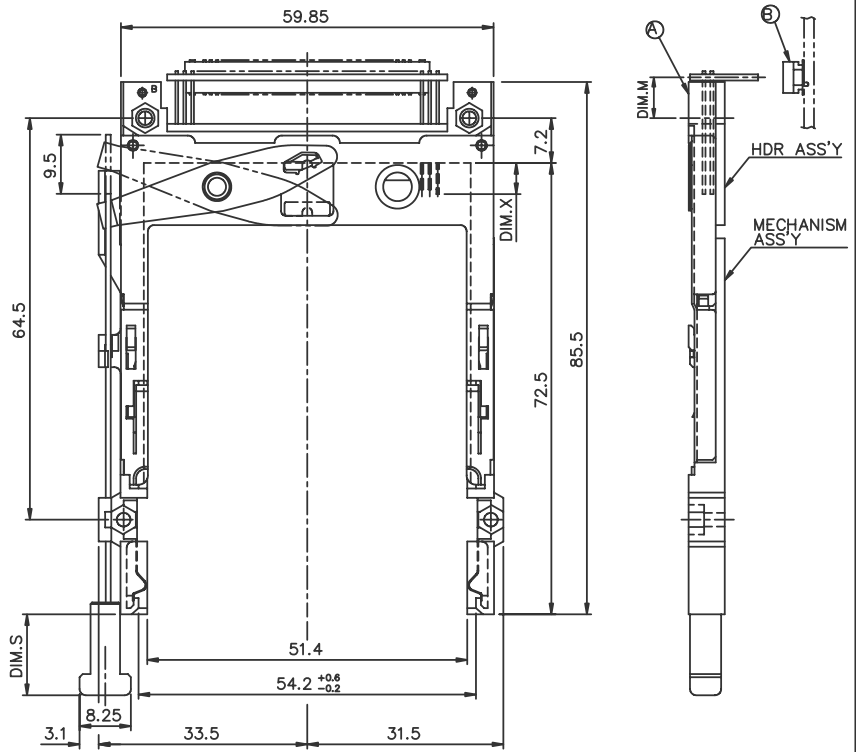
mat'l code		tolerance unless otherwise specified		CUSTOMER COPY		 www.fclconnect.com	
rev.	ecn no.	dr	date	linear	± 0.30	projection	title
L				angles	± 2°		EJECTOR HEADER ASS'Y
M				dr WENDY CHEN	01/27/95	unit	5.0V, SMT TYPE 1/2/3
				enrg JOSEPH HSIA	01/27/95	mm/inch	product family
				chr JOSEPH HSIA	01/27/95	scale	PCMCIA
				appd JENN TSAO	01/27/95	A3	code
							95547
sheet	revision						size
index	sheet						dwg no.
							7 of

Tous droits strictement réservés. Reproduction ou communication à des tiers sans autorisation écrite du propriétaire.
 Property of c BERG ELECTRONICS.
 Droits de reproduction BERG ELECTRONICS by

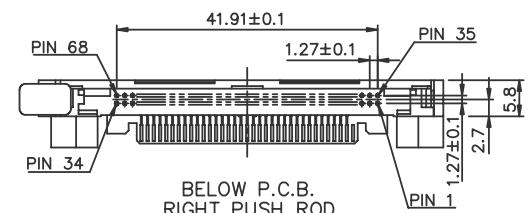
All rights strictly reserved. Reproduction or issue to third parties in any form without written authority from the proprietor.
 Property of c BERG ELECTRONICS.
 Copyright BERG ELECTRONICS by

PRODUCT NO.	DIM.M
95547-505CALF	10.0
95547-525CALF	9.0
95547-545CALF	6.55
95547-555CALF	6.55

PRODUCT NO.	DIM.M
95547-520CALF	2.15
95547-540CALF	-0.3
95547-550CALF	-0.3
95547-750CALF	2.15



BELOW P.C.B.
 RIGHT PUSH ROD
 (CAN'T BE USED FOR SINGLE DECK)



BELOW P.C.B.
 RIGHT PUSH ROD
 (CAN BE USED FOR SINGLE DECK)

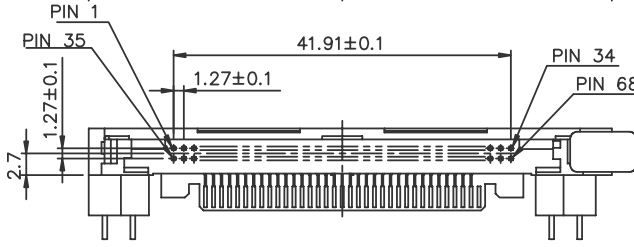
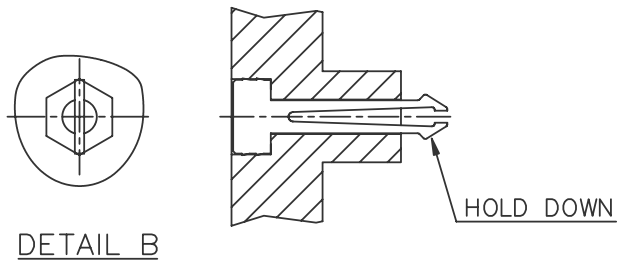
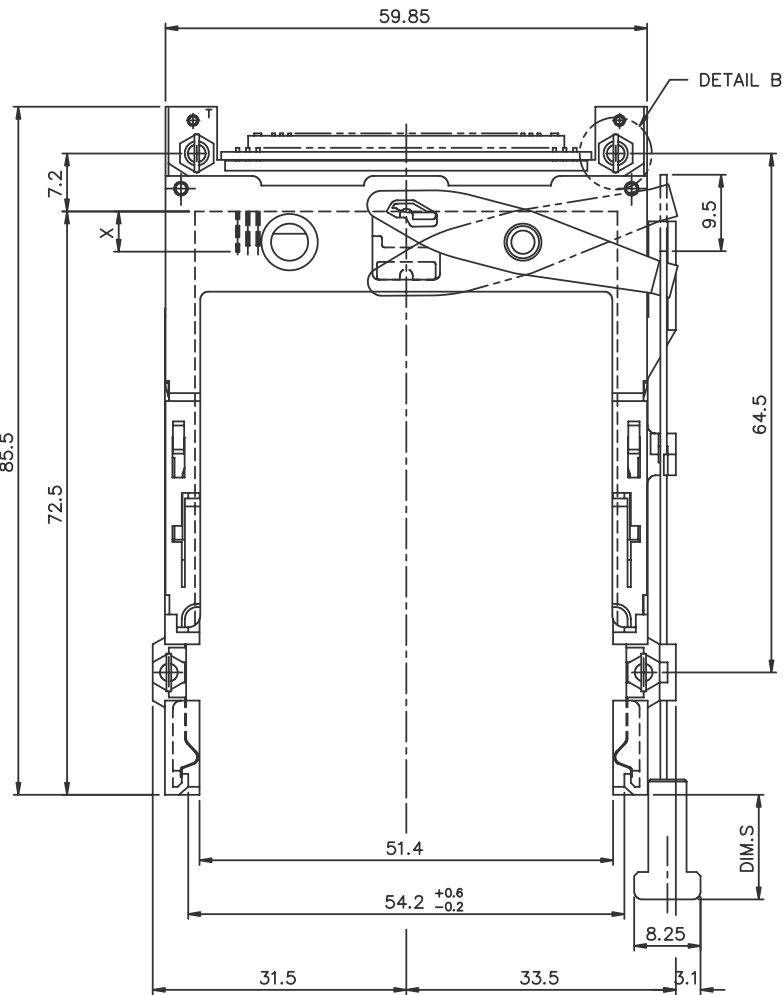
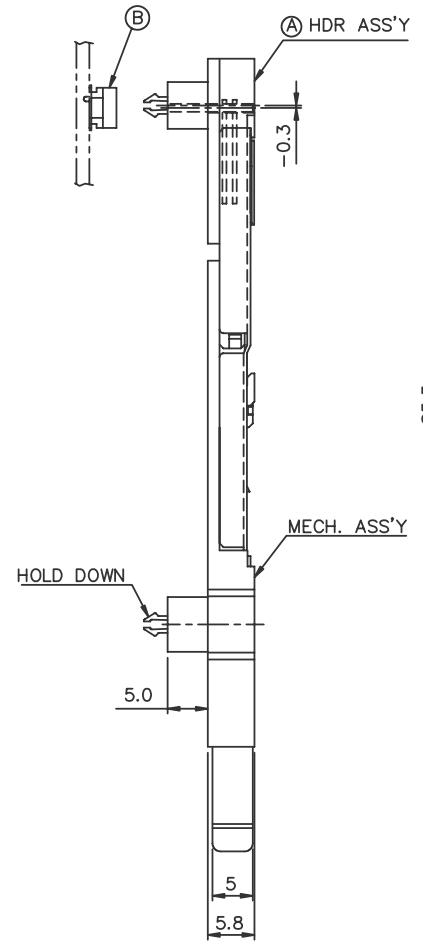
mat'l code		tolerance unless otherwise specified		CUSTOMER COPY		 www.fclconnect.com	
rev.	ecn no.	dr	date	linear	± 0.30	projection	title
L				angles	± 2°		EJECTOR HEADER ASS'Y
M				dr	WENDY CHEN 01/27/95	unit	5.0V, SMT TYPE 1/2/3
				enrg	JOSEPH HSIA 01/27/95	mm/inch	product family
				chr	JOSEPH HSIA 01/27/95	scale	PCMCIA
				appd	JENN TSAO 01/27/95	A3	code
							95547
sheet	revision						size
index	sheet						dwg no.
							8 of

Tous droits strictement réservés. Reproduction ou communication sans autorisation écrite du propriétaire.
 Property of c BERG ELECTRONICS.
 Copyright BERG ELECTRONICS by

All rights strictly reserved. Reproduction or issue to third parties in any form without written authority from the proprietor.
 Property of c BERG ELECTRONICS.
 Copyright BERG ELECTRONICS by



PRODUCT NO.
95547-050**H
95547-050**HLF



mat'l code		tolerance unless otherwise specified		CUSTOMER COPY		 www.fclconnect.com	
rev.	ecn no.	dr	date	linear	±0.3	projection	title
L				angles	± 2°		EJECTOR HEADER ASS'Y 5.0V, SMT TYPE 1/2/3
M				dr WENDY CHEN	12/19/00		unit
				enrg JOSEPH HSIA	12/19/00	mm/inch	PCMCIA
				chr JOSEPH HSIA	12/19/00	scale	size
				appd JOSEPH HSIA	12/19/00	1.4:1	A3
							dwg no.
							95547
							sheet
							9 of
sheet	revision						
index	sheet						

DESCRIPTION : ABOVE PCB, DECK AND PUSH ROD LOCATION ARE AS VIEW BY USER.

NOTES:

- 8mm MIN. CARD EJECT.
- EJECT TRAVEL: 9.5mm
- PUSH ROD LOCATION AND P.C.B. SIDE ARE AS APPEARS INSTALLED.
- MATERIAL
 - HEADER ASS'Y:
 - PLASTIC : HOUSING ...LCP UL94V-O BLACK
 - PIN : COPPER ALLOY
 - PCB : FR4
 - EJECT MECHANISM ASS'Y:
 - PLASTIC : GUIDE: POLYPHTHARAMID UL94V-O BLACK
 - : PUSH ROD CAP: POLYPHTHARAMID UL94V-O BLACK
 - PLATE AND PUSH ROD : STAINLESS
 - EMI CONTACT: PHOSPHOR BRONZE
- FINISH (PIN)
 - UNDER PLATING : 0.5 um MIN. Ni
 - CONTACT AREA : 0.1 um MIN. GOLD OVER
 - 0.5 um MIN. Pd-Ni(OTHER VERSIONS),
 - 0.1 um MIN. GOLD OVER 0.8um Pd-Ni
 - (FOR 95547-250** AND 95547-250**LF ONLY)
 - SOLDER TAIL : TIN LEAD PLATING: 2.5 um MIN. Sn-Pb
 - LEAD FREE PLATING: 2.5 um MIN. PURE TIN

LOWER DECK									
① PRODUCT NO.	STAND-OFF HIGH DIM. L	PUSH ROD LOCATION ③	P.C.B. SIDE ④	P.C.B LAYOUT RECOMMENDED	② MATING RECEPTACLE	MOUNT STYLE TO PCB AND PUSH ROD SIDE			
95547-020**	2.2	RIGHT	ABOVE	SEE DRAWING P/N: TA-1052	↑ RECEPTACLE PART NUMBER: 91931-31169 ↓				
95547-040**	4.3								
95547-050**	5.0								
95547-050**H	5.0								
95547-250**	5.0								
95547-120**	2.2	LEFT	ABOVE	SEE PAGE 7		↑ RECEPTACLE PART NUMBER: 91931-31169 ↓			
95547-140**	4.3								
95547-150**	5.0								
95547-322**	2.2	LEFT	ABOVE	SEE PAGE 7			↑ RECEPTACLE PART NUMBER: 91931-31169 ↓		
95547-520**	2.2								
95547-540**	4.3	RIGHT	BELOW	SEE DRAWING P/N: TA-1052	↑ RECEPTACLE PART NUMBER: 91931-31169 ↓				
95547-550**	5.0								
95547-750**	5.0								
95547-620**	2.2	LEFT	BELOW	SEE DRAWING P/N: TA-1052				↑ RECEPTACLE PART NUMBER: 91931-31169 ↓	
95547-640**	4.3								
95547-650**	5.0								

UPPER DECK							
① PRODUCT NO.	JOINT WITH LOWER DECK STAND-OFF HIGH(DIM. L)	PUSH ROD LOCATION ③	P.C.B. SIDE ④	② MATING RECEPTACLE	MOUNT STYLE TO PCB AND PUSH ROD SIDE		
95547-005**	0.0	RIGHT	ABOVE	↑ RECEPTACLE PART NUMBER: 91931-31169 ↓			
95547-025**	2.2						
95547-045**	4.3						
95547-055**	5.0						
95547-105**	0.0						
95547-125**	2.2	LEFT	ABOVE		↑ RECEPTACLE PART NUMBER: 91931-31169 ↓		
95547-145**	4.3						
95547-155**	5.0						
95547-505**	0.0	RIGHT	BELOW			↑ RECEPTACLE PART NUMBER: 91931-31169 ↓	
95547-525**	2.2						
95547-545**	4.3						
95547-555**	5.0						
95547-605**	0.0						
95547-625**	2.2	LEFT	BELOW	↑ RECEPTACLE PART NUMBER: 91931-31169 ↓			
95547-645**	4.3						
95547-655**	5.0						

4.25±0.1	3.5±0.1	5.0±0.1
OTHERS		36,67 1,17,34,35,51,68

7. TABLE J

** DIM.S
CA 13.0
DA 15.6

- ADD "H" TO PART NUMBER FOR OPTIONAL HOLD DOWN (4 PER ASSEMBLY).
- IF LEAD FREE P/N.THE HOUSING WILL WITHSTAND EXPOSURE TO 260°C PEAK TEMPERATURE FOR 10 SECONDS IN A WAVE SOLDER APPLICATION WITH A 1.00MM MINIMUM THICK CIRCUIT BOARD.
- LEAD FREE PRODUCT MEETS EUROPEAN UNION DIRECTIVES AND OTHER COUNTRY REGULATIONS AS DISCRIBLED IN GS-22-008
- IF LEAD FREE P/N. PACKAGING MEETS GS-14-920 SPECIFICATION

TIN LEAD ORDERING INFORMATION

NAME	PART NO.	Q'TY
① EJECT HEADER ASS'Y	95547-*****	1
② MATING RECEPTACLE	91931-31169	1

- NOTES:
- IT CAN'T BE USED FOR SINGLE DECK.
 - IT MUST BE ASSEMBLED BY USER FOR DOUBLE DECK APPLICATION.(PLEASE REFER TO P/N 95562)
 - ** : SEE TABLE J

mat'l code	tolerance unless otherwise specified	CUSTOMER COPY		www.fclconnect.com
rev. ecn no. dr date	linear	projection	title EJECTOR HEADER ASS'Y 5.0V, SMT TYPE 1/2/3	
L			product family	PCMCIA
M	angles		size	dwg no.
	dr WENDY CHEN 01/27/95	unit mm/inch	scale	1:1
	enrg JOSEPH HSIA 01/27/95		A3	95547
	chr JOSEPH HSIA 01/27/95			sheet 100f
	appd JENN TSAO 01/27/95			
sheet revision				
index sheet				

Tous droits strictement reserves. Reproduction ou communication a des tiers int sous quelque forme que ce soit, sans autorisation ecrite du proprietair. Property of FCI. Copyright BERG ELECTRONICS. Droits de reproduction BERG ELECTRONICS by FCI. All rights strictly reserved. Reproduction or issue to third parties in any form without written authority from the proprietor. Property of FCI. Copyright BERG ELECTRONICS. Copyright BERG ELECTRONICS by FCI.

DESCRIPTION : ABOVE PCB, DECK AND PUSH ROD LOCATION ARE AS VIEW BY USER.

LOWER DECK							
Ⓐ PRODUCT NO.	STAND-OFF HIGH DIM. L	PUSH ROD LOCATION Ⓞ	P.C.B. SIDE Ⓞ	P.C.B LAYOUT RECOMMENDED	Ⓑ MATING RECEPTACLE	MOUNT STYLE TO PCB AND PUSH ROD SIDE	
95547-020**LF	2.2	RIGHT	ABOVE	SEE DRAWING P/N: TA-1052	↑ RECEPTACLE PART NUMBER: 91931-31169LF ↓		
95547-040**LF	4.3						
95547-050**LF	5.0						
95547-050**HLF	5.0						
95547-250**LF	5.0						
95547-120**LF	2.2	LEFT	ABOVE	SEE DRAWING P/N: TA-1052		↑	
95547-140**LF	4.3						
95547-150**LF	5.0						
⚠ 95547-150**HLF	5.0						
95547-322**LF	2.2						
95547-520**LF	2.2	RIGHT	BELOW	SEE DRAWING P/N: TA-1052	↓		
95547-540**LF	4.3						
95547-550**LF	5.0						
95547-750**LF	5.0						
95547-620**LF	2.2						
95547-640**LF	4.3	LEFT	BELOW	SEE DRAWING P/N: TA-1052	↓		
95547-650**LF	5.0						

UPPER DECK						
Ⓐ PRODUCT NO.	JOINT WITH LOWER DECK STAND-OFF HIGH(DIM. L)	PUSH ROD LOCATION Ⓞ	P.C.B. SIDE Ⓞ	Ⓑ MATING RECEPTACLE	MOUNT STYLE TO PCB AND PUSH ROD SIDE	
95547-005**LF	0.0	RIGHT	ABOVE	↑ RECEPTACLE PART NUMBER: 91931-31169LF ↓		
95547-025**LF	2.2					
95547-045**LF	4.3					
95547-055**LF	5.0					
95547-105**LF	0.0					
95547-125**LF	2.2	LEFT	ABOVE		↑	
95547-145**LF	4.3					
95547-155**LF	5.0					
95547-505**LF	0.0					
95547-525**LF	2.2					
95547-545**LF	4.3	RIGHT	BELOW	↓		
95547-555**LF	5.0					
95547-605**LF	0.0					
95547-625**LF	2.2					
95547-645**LF	4.3					
95547-655**LF	5.0	LEFT	BELOW	↓		
95547-655**LF	5.0					

NOTES:
 1. IT CAN'T BE USED FOR SINGLE DECK.
 2. IT MUST BE ASSEMBLED BY USER FOR DOUBLE DECK APPLICATION.(PLEASE REFER TO P/N 95562)
 3. ** : SEE TABLE J

LEAD FREE ORDERING INFORMATION

NAME	PART NO.	Q'TY
Ⓐ EJECT HEADER ASS'Y	95547-*****LF	1
Ⓑ MATING RECEPTACLE	91931-31169LF	1

mat'l code		tolerance unless otherwise specified		CUSTOMER COPY		FCI www.fclconnect.com	
rev.	ecn no.	dr	date	linear	projection	title EJECTOR HEADER ASS'Y 5.0V, SMT TYPE 1/2/3	
N				angles		product family PCMCIA code	
				dr WENDY CHEN 01/27/95	unit	size	
				enrg JOSEPH HSIA 01/27/95	mm/inch	dwg no.	
				chr JOSEPH HSIA 01/27/95	scale	sheet	
				appd JENN TSAO 01/27/95	1:1	11 of	
sheet	revision						
index	sheet						

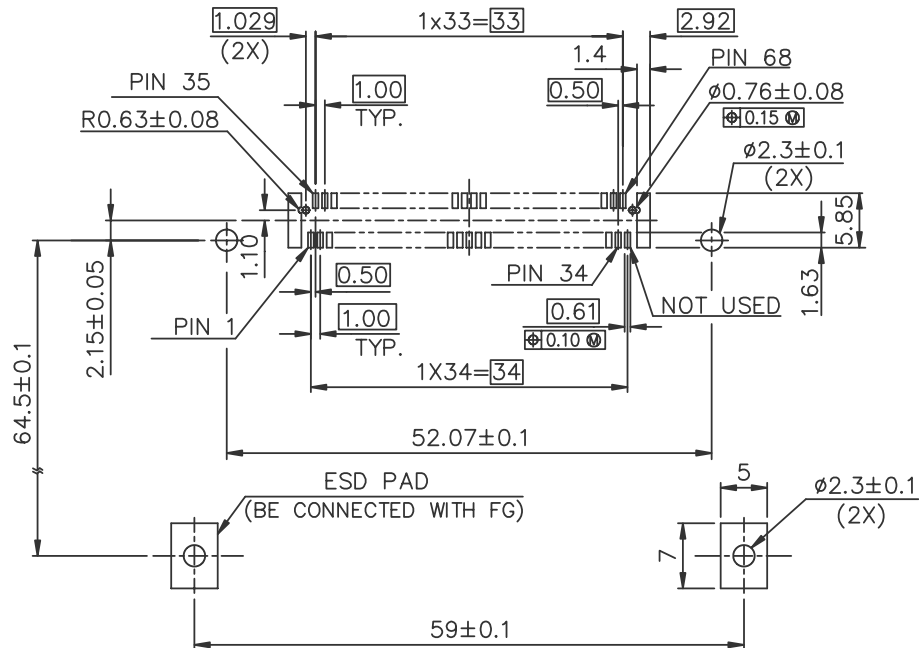
Tous droits strictement reserves. Reproduction ou communication a des tiers int sous quelque forme que ce soit sans autorisation ecrite du proprietair. Property of c BERG ELECTRONICS. Droits de reproduction BERG ELECTRONICS by

All rights strictly reserved. Reproduction or issue to third parties in any for without written authority from the proprietor. Property of c BERG ELECTRONICS. Copyright BERG ELECTRONICS by

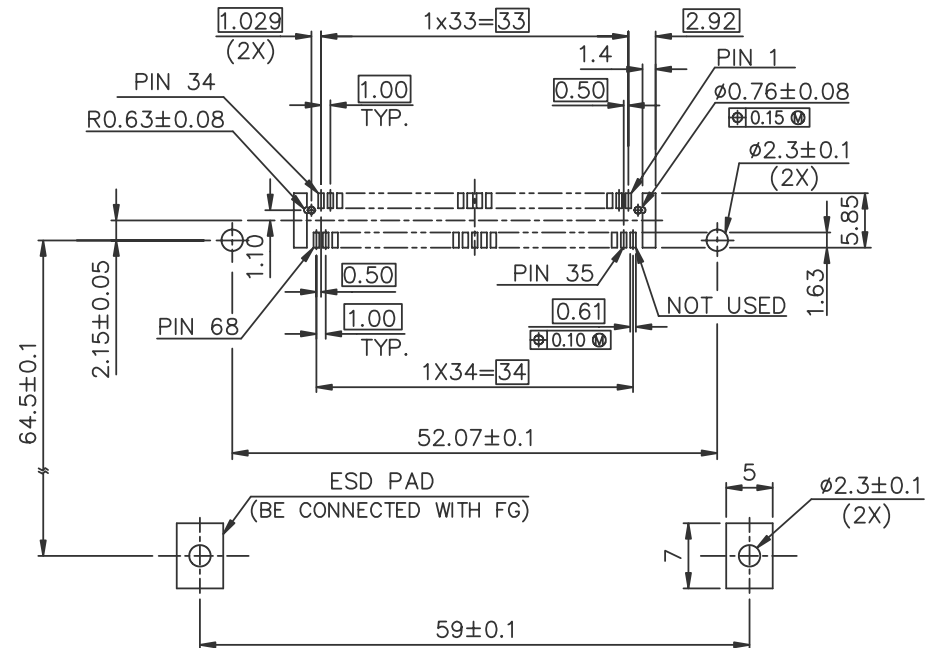
Tous droits strictement réservés. Reproduction ou communication à des tiers sans autorisation écrite du propriétaire.
 Property of c BERG ELECTRONICS.
 Copyright BERG ELECTRONICS by



All rights strictly reserved. Reproduction or issue to third parties in any form without the written authority from the proprietor.
 Property of c BERG ELECTRONICS.
 Copyright BERG ELECTRONICS by



4 CARD INSERTION DIRECTION
 (ONLY USED FOR P/N: 95547-322**
 AND P/N: 95547-322**LF)



4 CARD INSERTION DIRECTION
 (ONLY USED FOR P/N: 95547-750**
 AND P/N: 95547-750**LF)

mat'l code		tolerance unless otherwise specified		CUSTOMER COPY	 www.fclconnect.com				
rev.	ecn no.	dr	date	linear		±0.10			
L				angles	± 2'				
		dr	WENDY CHEN 11/24/97	projection	 title CONAN, EJECTOR HDR LAYOUT				
		enrg	JOSEPH HSIA 11/24/97	unit					
		chr	JOSEPH HSIA 11/24/97	mm/inch	product family	PCMCIA	code		
		appd	JENN TSAO 11/24/97	scale	size	dwg no.	95547	sheet	12of
sheet	revision				A3				
index	sheet								